



HOLL'S

COMFORT DESIGN SAUNAS



Installation handbook



Manuel d'installation



Manual de instalación



Manuale di installazione

Venetian / Graphite



Installation handbook

EN



Manuel d'installation

FR



Manual de instalación

ES



Manuale di installazione

IT

Recommendations

Read this manual carefully before using your sauna for the first time.

We recommend you keep it in a safe place for future reference.

- Install the sauna on a perfectly flat surface.
- The sauna must remain in a dry area. Do not use it near a source of water (bath, damp floor, swimming pool).
- Do not use liquid cleaning products. Disconnect the sauna before cleaning and use a wet rag (see Maintenance section).
- Protect the sauna's electrical cable to avoid it being crushed or pinched.
- Prior to replacing certain components, ensure that they are specified by the manufacturer or that they have the same features as the original parts. Incorrect replacement can cause a fire, a short circuit or damage to the sauna. We strongly recommend using a qualified technician.
- To avoid the risk of burns or electric shocks, do not use any metal tools.
- Do not put animals in the sauna.
- Do not leave the sauna switched on without supervision.
- Do not leave the sauna switched on for more than 3 hours at a time to avoid premature deterioration of the equipment. After 3 hours continuous usage, switch off the sauna for at least one hour.
- We recommend that you do not install a locking system on the sauna door.
- Check compliance of your electrical installation prior to connecting your sauna to the power supply.

Safety

IMPORTANT:

Please read the safety instructions carefully before installing and using your sauna cabin. They are essential for your safety, so please adhere strictly to them.

EN

Beware of hyperthermia, heat stroke or heat exhaustion which can be caused or aggravated by noncompliance with the safety instructions. Symptoms are fever, a rapid pulse, dizziness, fainting, lethargy and numbness in all or part of the body. The effects are: reduced awareness of the heat, ignorance of imminent risks, loss of consciousness.

The sauna must not be used by:

- Children under 6 years of age.
- People with severe reactions to sunlight.
- Elderly or disabled people.
- People with previous medical conditions such as heart disease, high or low blood pressure, blood circulation problems or diabetes without prior medical advice.
- Pregnant women. Excessive temperature can endanger the foetus.
- Persons suffering from dehydration, open sores, eye disorders, burns or sunstroke.

Children between 6 and 16 years of age may use the sauna provided that they are continuously supervised by a responsible adult and that the temperature does not exceed 60°C (140°F).

In the event of problems involving health, medication or injury to muscles or ligaments, do not use the sauna without previously consulting a doctor and obtaining approval.

If surgical implants are worn, do not use the sauna without previously consulting a doctor and obtaining his approval.

Do not use the sauna after strenuous activity.

Wait 30 minutes for your body to cool down.

Do not spend more than 40 minutes in the sauna at any one time.

Do not consume alcohol or drugs before or during the session.

Do not sleep in the sauna when it is in operation.

To avoid the risk of overheating, connect your sauna to a sufficiently powerful electrical outlet and do not connect other electrical equipment to the same wall socket.

To avoid any risk of electrocution or damage to the sauna, do not use it:

- During thunderstorms.
- If the electrical cable is damaged, it must be replaced by a qualified person.
- If the electrical cable overheats, it must be checked by a qualified person.
- If you have to change a bulb, wait until the sauna is switched off and cooled down.

Dry your hands before connecting or disconnecting the electricity.

Never work with wet hands or feet.

Do not switch the electricity or the heating system rapidly on or off as this could damage the electrical system.

Do not try to repair the sauna by yourself without the agreement of the sauna's distributor or manufacturer.

Unauthorized attempts to repair it will invalidate the manufacturer's warranty.

Do not use any type of detergent inside the sauna.

Do not pile up or store objects inside or on top of the sauna.

Do not place flammable materials or chemical agents near the sauna.

Description sauna

General features

- Cabin made from Canadian spruce
- Interior light fittings
- Thermometer / Hygrometer
- Hourglass
- Wooden pail and ladle
- Ventilation grille
- 2 years electronic warranty, 10 years wood warranty

Certifications



Complies with current European standards



Wood is sourced from sustainably managed forests



Manufacturing process uses no heavy metals

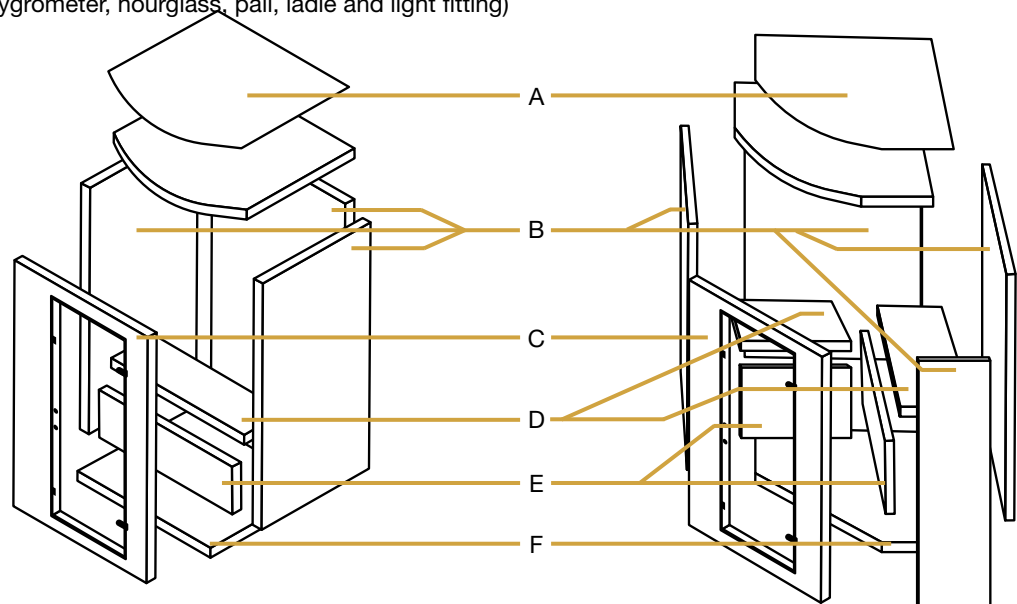
Package contents

General :

- 1x installation handbook
- 1x door handle (interior and exterior component)
- 1x electric stove protective cage
- 1x steam sauna accessories pack (including thermometer, hygrometer, hourglass, pail, ladle and light fitting)

Specific :

- A. Ceiling
- B. Side or Rear
- C. Front + Door
- D. Seating
- E. Seating support
- F. Floor



*Refer to stove technical guide for additional information

Installation

Read the assembly instructions carefully before starting.

Choice of location

Holl's saunas are designed solely for interior installation.

Select a space:

- Inside, in a dry area, on a flat stable surface that can support the weight of your sauna.
- The height must be sufficient for you to reach the ceiling and carry out electrical connections and maintenance.
- Away from any source of water, flames or flammable materials.

Practical advice

- Note that sauna assembly requires 2 or 3 adults.
- Clearly identify each panel before you begin
- During assembly, position your sauna's mains cable so that it is easily accessible.
- Note that there are variations between the models.

IMPORTANT:

Please check the countersink and hole diameter of the drill holes to avoid damaging the wood.
The minimum room height required for installation is 2020 mm.

Assemble instructions

Assemble steps for rectangle sauna

Step 1:



Start by positioning the flooring on the ground at the location where you wish to install the sauna.

Step 2:



Install the rear panel in the groove in the flooring.

Step 3:



Position the left side panel in the groove in the flooring, ensuring that it slots perfectly into the rear panel.

Finish the assembly of two panels by locking buckles.

● Unlocked Buckle / Locked Buckle



Assemble instructions

Step 4:



Position the front panel in the groove in the flooring, ensuring that it slots perfectly into the left side panel. Important: Keep the door closed while handling this component.

Finish the assembly of two panels by locking buckles.

● Unlocked Buckle / Locked Buckle



Step 5:



Finally, position the right side panel in the groove in the flooring, ensuring that it slots perfectly into the front and rear panels.

Finish the assembly of three panels by locking buckles.

● Unlocked Buckle / Locked Buckle



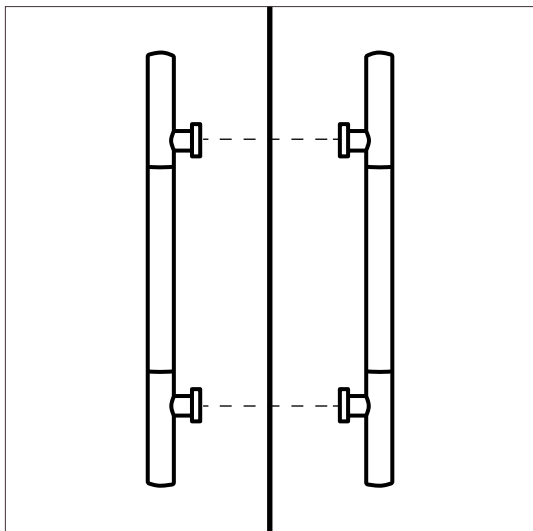
Step 6:



Carefully position the ceiling.
Then connect Chromotherapy to the electric stove power supply.

Assemble instructions

Step 7:



On the outside of the door, position the handle in line with the holes provided. Insert the screws through the inside of the door and fix the handle. The metal part must be on the outside of the cabin.

Step 8:



Assemble the bench and its backrest. Then attach the bench to the rear panel.

Step 9:



Install the light fittings in the corners of the cabin then connect them to the electric stove power supply.

Assemble instructions

Step 10:




The stove's protective cage must be assembled then installed inside the cabin.

Step 11:



Install the stove in its cage.
All instructions for the stove's installation and electrical connection are enclosed in its shipping carton.

 **Note:**
For stove installation, please refer to the stove manual.

Assemble instructions

Assemble steps for corner sauna

Step 1:



Start by positioning the flooring on the ground at the location where you wish to install the sauna.

Step 2:



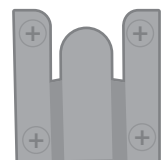
Install the front panel in the groove in the flooring. Important: Keep the door closed while handling this component.

Step 3:



Position the front panels and door with the left front panel.

The front panel includes catches on each side. Ensure that each catch slots in correctly.



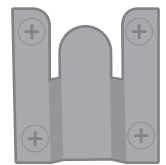
Assemble instructions

Step 4:



Position the front panels and door with the right front panel.

The front panel includes catches on each side. Ensure that each catch slots in correctly.



Step 5:



Position the left side panel in the groove in the flooring, ensuring that it slots perfectly into the left rear panel.

Finish the assembly of two panels by locking buckles.

● Unlocked Buckle / Locked Buckle



Step 6:



Position the right rear panel in the groove in the flooring, ensuring that it slots perfectly into the left rear panel.

Finish the assembly of two panels by locking buckles.

● Unlocked Buckle / Locked Buckle



Assemble instructions

Step 7:



Carefully position the ceiling over the cabin.
Then connect Chromotherapy to the electric stove power supply.

Step 8:



Position the upper bench backrest, ensuring that it slots perfectly into the side panels.

Position the upper bench seating, ensuring that it slots perfectly into the side panels.



Step 9:



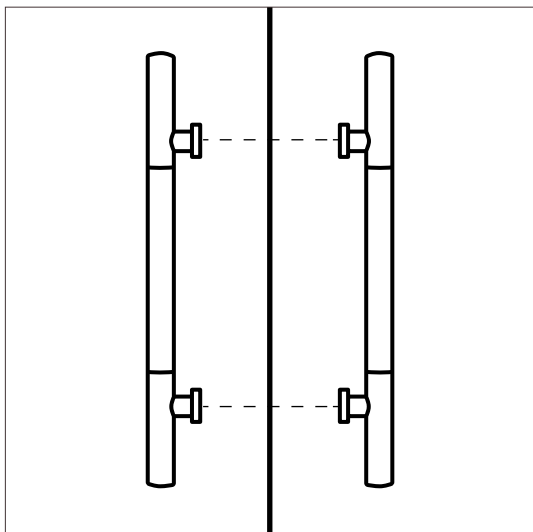
Position the lower bench backrest, ensuring that it slots perfectly into the side panels.

Position the lower bench seating, ensuring that it slots perfectly into the side panels.



Assemble instructions

Step 10:



On the outside of the door, position the handle in line with the holes provided. Insert the screws through the inside of the door and fix the handle. The metal part must be on the outside of the cabin.

Step 11:



Install the lights in the corners of the cabin then connect them to the electric stove power supply.

Step 12:



The stove's protective cage must be assembled then installed inside the cabin.

Install the stove in its cage. All instructions for the stove's installation and electrical connection are enclosed in its shipping carton.



Note:
For stove installation, please refer to the stove manual.



Chromotherapy

Specifications

Working temperature: -20 to 60 °C

Product size : L 62 x W 35 x H 23 mm

Net weight: 50g

Output: Three CMOS drain-open output

Max load current: 2 A each color

Supply voltage: DC12V

Package size: L 105 x W 65 X H 55 mm

Gross weight: 70g

Connecting Mode : Common anode

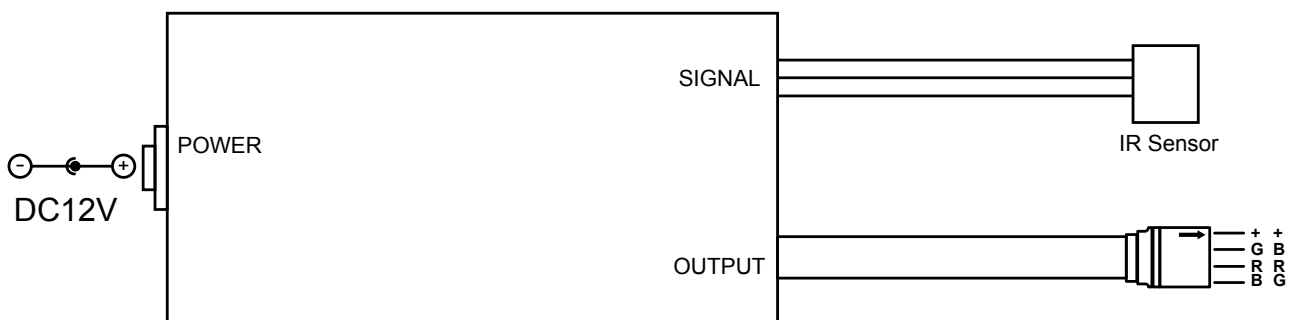
Control Method

Adopt IR remoter to control the led controller, which has 24 buttons, the function of each button as the table below:



Brightness + (Speed up)	Brightness - (Speed down)	Off	On
Static red	Static green	Static blue	Static white
Static orange	Static pea green	Static dark blue	7 color jumpy change
Static dark yellow	Static cyan	Static brown	All fade out & fade in
Static yellow	Static light blue	Static pink	7 color fade change
Static straw yellow	Static sky blue	Static purple	3 base color jumpy

Panel specification and connecting drawing as follows



Warning

1. Supply voltage of this product is DC12V never connect to DC24V or AC220V.
2. Never connect two wires directly in case of short circuit.
3. Lead wire should be connected correctly according to colors that connecting diagram offers.

Maintenance & servicing

Maintenance

IMPORTANT:

Disconnect the cabin's power supply cable before undertaking any work.

EN

Problems identified	Possible reasons	Solutions
Electric stove does not heat up.	Power supply cable disconnected.	Check power supply cable connection.
	The general power supply is cut.	Check that the switchboard and wall plug are working.
	Stove is overheat protected.	Refer to the electric stove manual.
Sauna light fitting no longer work.	LED cable not fully plug.	Plug the cable.
	LED is defective.	Contact your dealer.
	LED doesn't respond.	Change remote control batteries.

Servicing

1. Disconnect your sauna.
2. Use a vacuum cleaner to remove dust from crevices in the woodwork.
3. Clean the cabin with a damp cotton cloth and use a small amount of soap if necessary. Rinse with a damp cloth.
4. Clean the glass with a window / glass cleaner and a soft cloth.

IMPORTANT:

Do not use benzene, alcohol, chemical agents or strong detergents on the sauna since chemical products can damage the wood. Do not spray water on your sauna.

Warranty

All the components of Holl's saunas are guaranteed for 2 years.

The warranty comes into force on the date of dispatch (corresponding to the date the invoice is issued).

The warranty does not apply in the following cases:

- Malfunction or damage arising from installation, usage or repair that are not in compliance with the safety instructions.
- Malfunction or damage arising from conditions that are unsuitable for the equipment's originally intended purpose.
- Damage arising from negligence, accident or force majeure (thunderstorm or bad weather).
- Malfunction or damage arising from the use of non-authorized accessories.

The warranty does not cover the costs linked to returning the cabin or part of its components to our workshops of.

Under the warranty, in the event of a breakdown, the items deemed defective by our technicians will be exchanged.

Information and explanations required for their installation will be provided by one of our technicians.

Costs linked to the use of subcontract labour provided by a third party cannot be covered by Holl's.



IMPORTANT

Do not return the product to the store

Contact your local after sales service on

www.holls.fr or **POOLSTAR FRANCE**

ZA les pielettes - 13740 LE ROVE - FRANCE

Avertissements

Lisez attentivement ce manuel avant d'utiliser votre sauna pour la première fois.

Nous vous recommandons de le conserver précieusement pour de futures consultations.

- Installer le sauna sur un sol parfaitement plat.
- Le sauna doit rester au sec. Ne pas l'utiliser près d'un point d'eau (baignoire, sol humide, piscine).
- Ne pas utiliser de produits nettoyants liquides. Débrancher le sauna avant de procéder au nettoyage et utiliser un chiffon humide. (voir chap. maintenance).
- Protéger le cordon électrique du sauna pour éviter qu'il soit piétiné ou pincé.
- Avant de procéder au remplacement de certaines pièces, assurez-vous qu'elles soient conçues par le fabricant ou qu'elles aient des caractéristiques semblables aux pièces d'origine. Un mauvais remplacement peut engendrer un incendie, un court-circuit ou une détérioration du sauna. Nous vous recommandons fortement de faire appel à un technicien qualifié.
- Pour éviter les risques de brûlures ou de décharges électriques, n'utilisez aucun outil métallique.
- Ne pas mettre d'animaux dans le sauna.
- Ne pas laisser le sauna allumé sans surveillance.
- Ne pas laisser le sauna allumé plus de 3 heures d'affilée sous peine de dégrader les équipements prématurément. Après 3 heures d'utilisation continue, éteignez le sauna pendant au moins une heure.
- Nous vous recommandons de ne pas installer de système de fermeture sur la porte du sauna.
- Vérifier la conformité de votre installation électrique avant de procéder au branchement électrique de votre sauna.

Sécurité

ATTENTION :

Veillez lire attentivement les consignes de sécurité avant d'installer et d'utiliser votre cabine de sauna. Elles sont essentielles pour votre sécurité, veuillez les respecter rigoureusement.

Attention à l'hyperthermie, insolation et coup de chaleur qui peuvent être provoqués ou accentués par le non respect des consignes de sécurité. Les symptômes sont la fièvre, l'accélération du pouls, le vertige, l'évanouissement, la léthargie, l'engourdissement du corps ou d'une partie du corps.

Les effets : Ne plus percevoir la chaleur, ignorance du risque imminent, perte de conscience.

Ne doivent pas utiliser le sauna :

- Les enfants de moins de 6 ans.
- Les personnes ayant des réactions importantes aux rayons du soleil.
- Les personnes âgées ou invalides.
- Les personnes ayant des antécédents médicaux tels que les maladies cardiaques, hypertension / hypotension, problème de circulation sanguine ou diabète sans un avis médical préalable.
- Les femmes enceintes. Une température excessive peut être dangereuse pour le fœtus.
- Les personnes souffrant de déshydratation, plaies ouvertes, maladies des yeux, brûlures, coup de soleil.

Les enfants entre 6 et 16 ans peuvent utiliser le sauna à condition qu'ils soient sous la surveillance constante d'un adulte responsable et que la température ne dépasse pas 60°C (140°F).

En cas de problèmes de santé, de prise de médicament, de blessure musculaire ou ligamentaire, ne pas utiliser le sauna sans consultation et accord préalable d'un médecin.

En cas de port d'implants chirurgicaux ne pas utiliser le sauna sans consultation et accord préalable du chirurgien.

Ne pas utiliser le sauna après un effort intense. Attendez 30 minutes que votre corps refroidisse.

Ne pas faire de séance de sauna de plus de 40 minutes.

Ne pas consommer d'alcool ou de drogue avant ou pendant la séance.

Ne pas dormir dans le sauna lorsque celui-ci est en fonctionnement.

Afin d'éviter les risques de surchauffe, branchez votre sauna sur une prise de courant suffisamment puissante et ne raccordez pas d'autres appareils électriques sur la même prise murale.

Pour éviter tout risque d'électrocution ou de détérioration du sauna, ne pas utiliser le sauna :

- En cas d'orage.
- Si le cordon électrique est endommagé, il devra être remplacé par une personne qualifiée.
- Si le cordon électrique est en surchauffe, il devra être vérifié par une personne qualifiée.
- Si vous devez changer une ampoule, attendre que le sauna soit éteint et qu'il refroidisse.

Séchez-vous les mains avant de brancher ou débrancher le courant. N'agissez jamais avec les mains ou les pieds mouillés.

Ne pas allumer et éteindre frénétiquement le courant ou le système de chauffage car cela pourrait causer des dégâts au système électrique.

Ne pas essayer de réparer le sauna par vous-même sans l'accord du distributeur ou du fabricant du sauna. Les tentatives de réparations non autorisées annuleront la garantie du fabricant.

Ne pas utiliser n'importe quel type de détergent à l'intérieur du sauna.

Ne pas empiler ou stocker d'objets à l'intérieur ou sur le sauna.

Ne pas entreposer de matières inflammables ou d'agents chimiques près du sauna.

Description du sauna

Caractéristiques générales

- Cabine de bois d'épicéa du Canada
- Luminaires intérieurs
- Thermomètre / Hygromètre
- Sablier
- Seau et louche bois
- Grille de ventilation
- Garantie 2 ans électronique, 10 ans boiserie

Certifications



Conformité avec les normes européennes en vigueur



Le bois provient de forêt en accord avec le développement durable



Le processus de fabrication n'utilise pas de métaux lourds.

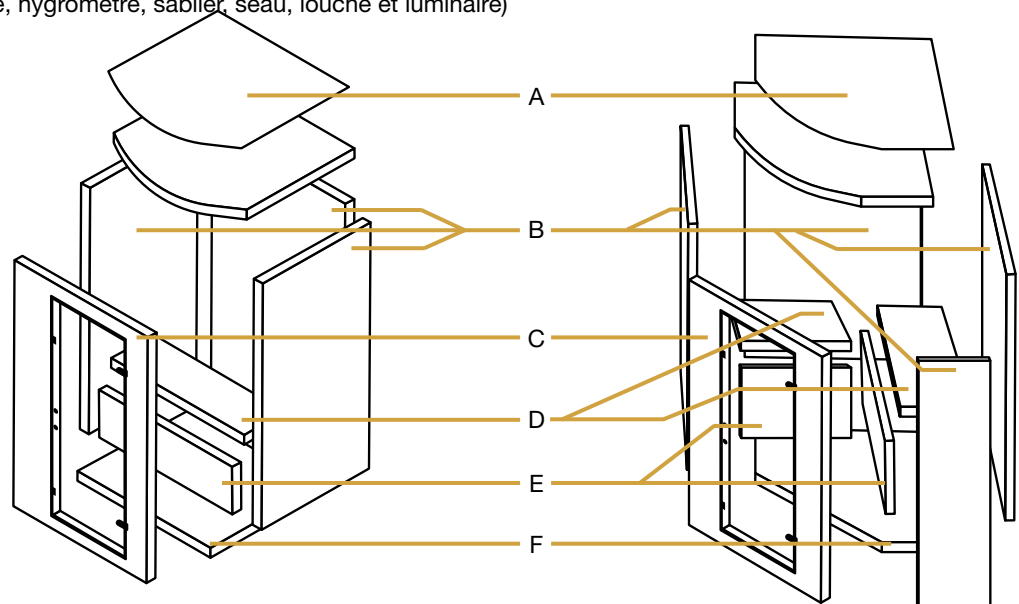
Contenu des colis

Commun :

- 1x manuel d'installation
- 1x poignée de porte (partie interne et externe)
- 1x berceau de protection pour poêle électrique
- 1x pack d'accessoires pour sauna vapeur (comprenant thermomètre, hygromètre, sablier, seau, louche et luminaire)

Spécifique :

- A. Toit
- B. Panneaux
- C. Façade + Porte
- D. Assises
- E. Support d'assises
- F. Plancher



*Se reporter au guide technique du poêle pour de plus amples informations

Installation

Lisez attentivement les instructions de montage avant de commencer l'assemblage.

Choix de l'emplacement

Les saunas Holl's sont uniquement prévus pour une installation en intérieur.

Choisissez un espace :

- En intérieur, au sec, sur un sol plat et stable, pouvant supporter le poids de votre sauna.
- La hauteur doit être suffisante pour vous permettre d'accéder au toit et de réaliser les branchements électriques et la maintenance.
- Éloigner de toute source d'eau, de flamme ou de substances inflammables.

Conseils pratiques

- Notez que le montage du sauna requiert 2 à 3 adultes.
- Identifiez clairement chaque panneau avant de commencer
- Pendant le montage, placez le cordon d'alimentation de votre sauna de sorte qu'il soit facilement accessible.
- Notez que des variations existent selon les modèles.

ATTENTION:

Vérifier les trous et leurs diamètres pour éviter d'endommager le bois.
La hauteur minimale requise pour l'installation est de 2020 mm.

Assemblage

Étapes d'assemblage d'un sauna rectangle

Étape 1:



Commencez par positionner le plancher sur le sol à l'endroit où vous souhaitez installer le sauna.

Étape 2:



Installez le panneau arrière dans la rainure du plancher. En veillant à bien maintenir le panneau.

Étape 3:



Positionnez le panneau latéral gauche dans la rainure du plancher en vous assurant qu'il s'emboîte parfaitement au panneau arrière tout en alignant les boucles.

Finalisez l'assemblage des 2 panneaux à en verrouillant les boucles.

● Boucle ouverte / Boucle verrouillé



Assemblage

Étape 4:



Positionnez le panneau avant dans la rainure du plancher en vous assurant qu'il s'emboîte parfaitement au panneau latéral gauche. Attention, bien maintenir la porte fermée lors de la manipulation et que les boucles soient alignées.

Finalisez l'assemblage des 2 panneaux à en verrouillant les boucles.

● Boucle ouverte / Boucle verrouillé



FR

Étape 5:



Enfin positionnez le panneau latéral droit dans la rainure du plancher en vous assurant qu'il s'emboîte parfaitement aux panneaux avant et arrière. En veillant à bien aligner les boucles.

Finalisez l'assemblage des 3 panneaux à en verrouillant les boucles.

● Boucle ouverte / Boucle verrouillé



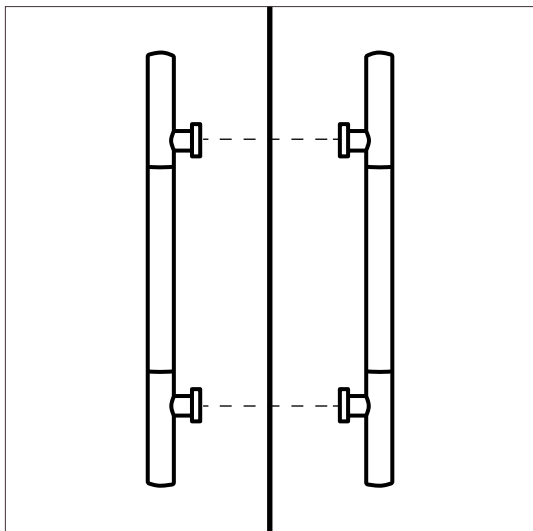
Étape 6:



Positionnez le toit avec précaution.
Raccordez l'alimentation de la chromothérapie à celle du poêle électrique.

Assemblage

Étape 7:



Sur l'extérieur de la porte, positionnez la poignée face aux trous prévus. Installez les vis par l'intérieur de la porte et fixez la poignée. La partie métallique doit se trouver à l'extérieur de la cabine.

Étape 8:



Assemblez le support de banc et le banc. Fixez ensuite le banc au panneau arrière.

Étape 9:



Fixez les luminaires aux coins de la cabine puis raccordez les à l'alimentation du poêle électrique.

Assemblage

Étape 10:




Le berceau de protection du poêle doit être assemblé puis installé à l'intérieur de la cabine.

Étape 11:



Installez le poêle dans son berceau. Toutes les instructions concernant l'installation et le raccordement électrique du poêle se trouvent dans son carton d'emballage.

Remarque :
Pour l'installation du poêle, veuillez vous référer à la notice du poêle.



Assemblage

Étapes d'assemblage d'un sauna d'angle

Étape 1:



Commencez par positionner le plancher sur le sol à l'endroit où vous souhaitez installer le sauna.

Étape 2:



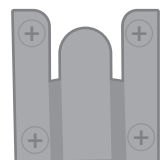
Positionnez avec précaution le panneau avant en vous assurant qu'il s'emboîte parfaitement dans la rainure du plancher. Attention, bien maintenir la porte fermée lors de la manipulation.

Étape 3:



Positionnez le panneau latéral gauche dans la rainure du plancher en vous assurant qu'il s'emboîte parfaitement au avec le panneau avant.

Veiller à bien insérer le panneau latéral gauche dans les loquets intérieurs du panneau avant.



Assemblage

Étape 4:



Positionnez avec précaution le panneau latéral droit en vous assurant qu'il s'emboîte parfaitement avec le panneau avant.

Veiller à bien insérer le panneau latéral droit dans les loquets intérieurs du panneau avant.



FR

Étape 5:



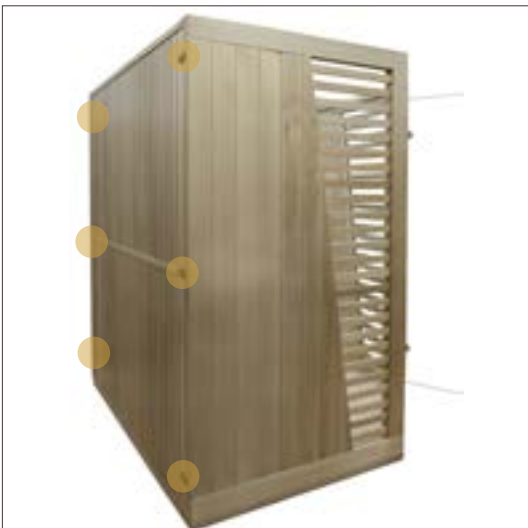
Installez le panneau arrière gauche dans la rainure du plancher en vous assurant qu'il s'emboîte parfaitement au panneau latéral gauche tout en alignant les boucles.

Finalisez l'assemblage des 2 panneaux à en verrouillant les boucles.

● Boucle ouverte / Boucle verrouillé



Étape 6:



Positionnez le panneau arrière droit dans la rainure du plancher en vous assurant qu'il s'emboîte parfaitement au panneau latéral droit et arrière gauche tout en alignant les boucles.

Finalisez l'assemblage des 3 panneaux à en verrouillant les boucles.

● Boucle ouverte / Boucle verrouillé



Assemblage

Étape 7:



Positionnez le toit au dessus de la cabine avec précaution.
Raccordez l'alimentation de la chromothérapie à celle du poêle électrique.

Étape 8:



Positionnez le support du banc supérieur, en vérifiant qu'il s'emboîte parfaitement aux panneaux latéraux.

Positionnez l'assise du banc supérieur, en vérifiant qu'il s'emboîte parfaitement aux panneaux latéraux.



Étape 9:



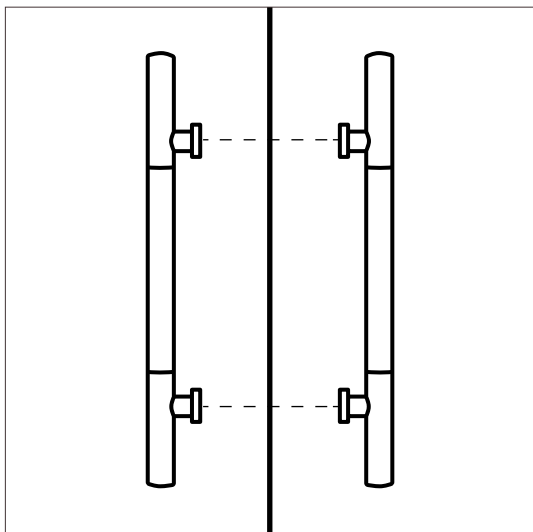
Positionnez le support du banc inférieur, en vérifiant qu'il s'emboîte parfaitement aux panneaux latéraux.

Positionnez l'assise du banc inférieur, en vérifiant qu'il s'emboîte parfaitement aux panneaux latéraux.



Assemblage

Étape 10:



Sur l'extérieur de la porte, positionnez la poignée face aux trous prévus. Installez les vis par l'intérieur de la porte et fixez la poignée. La partie métallique doit se trouver à l'extérieur de la cabine.

Étape 11:



Fixez les luminaires aux coins de la cabine puis raccordez les à l'alimentation du poêle électrique.

Étape 12:



Le berceau de protection du poêle doit être assemblé puis installé à l'intérieur de la cabine.

Installez le poêle dans son berceau. Toutes les instructions concernant l'installation et le raccordement électrique du poêle se trouvent dans son carton d'emballage.



Remarque :
Pour l'installation du poêle, veuillez vous référer à la notice du poêle.



Chromothérapie

Spécifications

Température de fonctionnement : -20 à 60 °C

Taille du produit : L 62 x l 35 x H 23 mm

Poids Net : 50g

Sortie : 3 CMOS Sortie collecteur ouvert

Courant max. : 2A pour chaque couleurs

Alimentation : DC12V

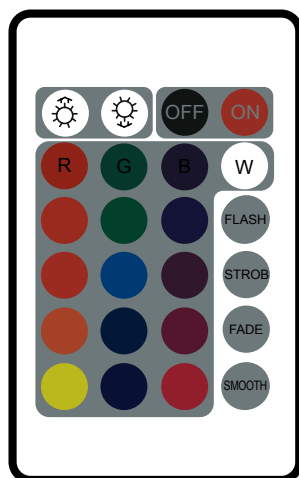
Taille du packaging : L 105 x l 65 X H 55 mm

Poids : 70g

Mode de connexion : Anode commune

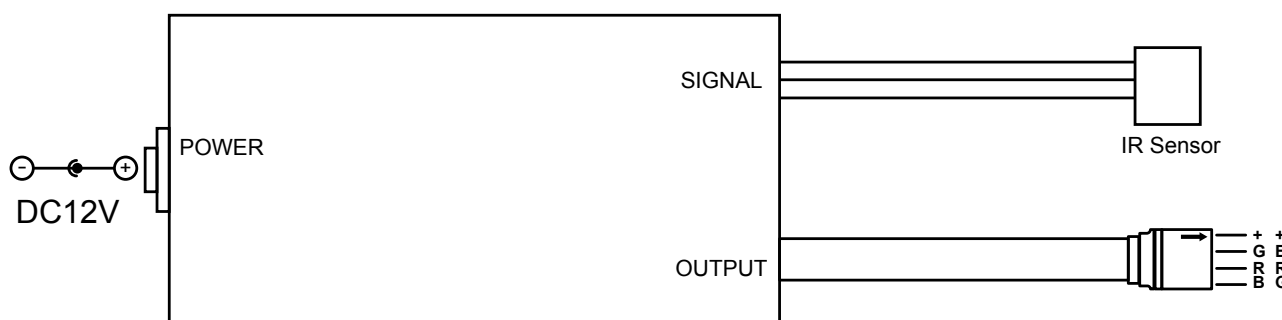
Télécommande

Utilisez la télécommande IR pour contrôler la chromothérapie. La télécommande compte 24 boutons dont la fonction est expliquée dans le tableau ci-dessous :



Luminosité + (Augmenter)	Luminosité - (Réduire)	Arrêt	Marche
Rouge statique	Vert statique	Bleu statique	Blanc statique
Orange statique	Vert pois statique	Bleu foncé statique	7 changement de couleur
Jaune foncé statique	Cyan statique	Marron statique	Toutes couleurs avec transition fondue
Jaune statique	Bleu claire statique	Rose statique	7 couleurs avec transition fondue
Jaune claire statique	Bleu ciel statique	Violet statique	3 changement avec les couleurs de base

Spécification du boîtier de contrôle et dessin des connexions



Attention

1. La tension d'alimentation de ce produit est de DC12V ne jamais connecter à du DC24V ou AC220V.
2. Ne jamais connecter deux fils directement entre eux en cas de court-circuit.
3. Le fil conducteur doit être connecté correctement en fonction des couleurs décrites par le diagramme de connexion.

Maintenance & entretien

Maintenance

IMPORTANT:

Débranchez le câble d'alimentation de la cabine avant toute intervention.

Problèmes constatés	Raisons possibles	Solutions
Le poêle électrique ne chauffe pas.	Le cordon d'alimentation est débranché.	Vérifiez le branchement du cordon d'alimentation.
	L'alimentation générale est coupée.	Vérifiez le bon fonctionnement du tableau électrique et de la prise murale.
	Le poêle est en sécurité-surchauffe.	Référez vous au manuel du poêle électrique.
Le luminaire du sauna ne fonctionnent plus.	Le câble des LED n'est pas bien branché.	Brancher le câble.
	Les LED sont défectueuses.	Contactez votre revendeur.
	Les LED ne répondent plus.	Changer les piles de la télécommande.

FR

Entretien

1. Débrancher votre sauna.
2. Utilisez un aspirateur pour retirer toutes les poussières des interstices du bois.
3. Nettoyez la cabine avec une serviette en coton humide, si nécessaire utilisez une petite quantité de savon. Rincez en utilisant une serviette humide.
4. Nettoyez le verre avec un nettoyant pour vitre et un chiffon doux.

ATTENTION:

N'utilisez pas de benzène, d'alcool, de produits chimiques ou de nettoyants forts sur le sauna car les produits chimiques peuvent endommager le bois. Ne pas pulvériser d'eau sur votre sauna.

Garantie

L'ensemble des éléments composant les saunas sont garantis 2 ans.

La date d'entrée en vigueur de la garantie est la date d'expédition (correspondant à la date d'édition de la facture).

La garantie ne s'applique pas dans les cas suivants :

- Dysfonctionnement ou dommage résultant d'une installation, d'une utilisation ou d'une réparation non conforme aux consignes de sécurité.
- Dysfonctionnement ou dommage résultant de conditions impropres à l'usage initialement prévu de l'appareil.
- Dommage résultant d'une négligence, d'un accident ou d'un cas de force majeure (orage et intempérie).
- Dysfonctionnement ou dommage résultant de l'utilisation d'accessoires non autorisés.

La garantie ne prend pas en charge les frais liés à un rapatriement de la cabine ou d'une partie de ses composants dans nos ateliers. Dans le cadre de la garantie, en cas de panne, les pièces jugées défectueuses par nos techniciens seront échangées. Les informations et explications nécessaires à leur installation seront fournies par l'un de nos techniciens. Les frais liés à l'emploi d'une main d'œuvre tierce ne pourront être pris en charge par Holl's.



IMPORTANT

Ne retournez pas le produit au magasin

Contactez votre centre de service après-vente local sur
www.holls.fr ou **POOLSTAR FRANCE**
ZA les pielettes - 13740 LE ROVE - FRANCE

Advertencias

Lea detenidamente este manual antes de utilizar su sauna por primera vez.

Le aconsejamos que lo guarde en un lugar seguro para futuras consultas.

- Instale la sauna en una superficie plana.
- La sauna debe situarse en un lugar seco. No la utilice en las inmediaciones de una fuente de humedad (bañeras, suelos húmedos, piscinas, etc.).
- No utilice productos de limpieza líquidos. Desconecte la sauna antes de proceder a limpiarla y utilice un trapo húmedo (consulte el capítulo sobre mantenimiento).
- Proteja el cable eléctrico de la sauna para evitar pisarlo o aplastarlo.
- Antes de cambiar cualquier pieza, asegúrese de que se trata de repuestos especificados por el fabricante o de que sus características son semejantes a las de las piezas originales. Cualquier repuesto no apto podría dar lugar al deterioro de la sauna o provocar un incendio o cortocircuito. Le aconsejamos encarecidamente que se ponga en contacto con un técnico cualificado.
- Para evitar el riesgo de quemaduras o descargas eléctricas, no utilice ningún objeto metálico.
- No meta ningún animal dentro de la sauna.
- No deje la sauna encendida sin supervisión.
- No deje la sauna encendida durante más de 3 horas seguidas o el equipo podría deteriorarse prematuramente. Después de 3 horas de uso continuo, permita que la sauna descansa durante al menos una hora.
- Le aconsejamos que no instale un sistema de cierre en la puerta de la sauna.
- Verifique la conformidad de su instalación eléctrica antes de proceder a la conexión eléctrica de la sauna.

Seguridad

ATENCIÓN:

Lea detenidamente las instrucciones de seguridad antes de instalar y utilizar la cabina de la sauna. Son fundamentales para su seguridad, por lo que debe asegurarse de respetarlas en todo momento.

En caso contrario, podría provocarse o acentuarse una hipertermia, una insolación o un golpe de calor. Entre sus síntomas se incluyen fiebre, aceleración del pulso, vértigo, desmayos, letargia y entumecimiento del cuerpo o de alguna parte del cuerpo. Efectos: Falta de percepción del calor, desconocimiento del riesgo inminente, pérdida del conocimiento.

Las siguientes personas no deberían utilizar la sauna:

- Los niños menores de 6 años.
- Las personas que sufren reacciones significativas ante los rayos del sol.
- Las personas mayores o discapacitadas.
- Las personas con antecedentes médicos como enfermedades cardíacas, hipertensión/hipotensión, problemas de circulación sanguínea o diabetes sin haber consultado antes con un médico.
- Las mujeres embarazadas, ya que la temperatura excesiva puede ser peligrosa para el feto.
- Las personas que padecen deshidratación, enfermedades oculares, quemaduras o golpes de sol, o que poseen heridas abiertas.

Los menores de entre 6 y 16 años pueden utilizar la sauna siempre y cuando se disponga de la supervisión de un adulto en todo momento y que la temperatura no exceda los 60 °C (140 °F).

Si padece cualquier problema de salud, lesión muscular o de los ligamentos, o está tomando algún medicamento, no utilice la sauna sin consultar previamente con un médico.

En caso de implantes quirúrgicos, no utilice la sauna sin consultar previamente con un cirujano.

No utilice la sauna después de haber realizado un esfuerzo físico considerable. Espere 30 minutos hasta que su cuerpo se haya enfriado.

No permanezca en la sauna durante más de 40 minutos.

No consuma alcohol ni ingiera drogas antes o durante la sesión en la sauna.

No se duerma dentro de la sauna mientras esté en funcionamiento.

A fin de evitar el riesgo de sobrecalentamiento, enchufe la sauna a una toma de corriente de la potencia adecuada y no enchufe otros aparatos eléctricos a dicha toma.

Para evitar cualquier riesgo de electrocución o deterioro de la sauna, no la utilice:

- Durante una tormenta.
- Si el cable eléctrico se ha deteriorado, deberá sustituirlo un técnico cualificado.
- Si el cable eléctrico se ha sobrecalentado, deberá comprobarlo un técnico cualificado.
- Si se debe cambiar una bombilla, espere a que la sauna esté apagada y se haya enfriado.

Séquese las manos antes de activar o desactivar la corriente. No manipule nunca el equipo con las manos o los pies húmedos.

No active y desactive la corriente o el sistema de calentamiento varias veces de manera rápida, ya que podría dañar la instalación eléctrica.

No intente reparar la sauna por su cuenta sin previo acuerdo del distribuidor o fabricante de la sauna. Cualquier intento de reparación no autorizado anulará la garantía del fabricante.

No utilice ningún tipo de detergente en el interior de la sauna.

No apile ni almacene objetos dentro o encima de la sauna.

No coloque materiales inflamables o agentes químicos cerca de la sauna.

Descripción de la sauna

Características generales

- Cabina de madera de píceas de Canadá
- Luces interiores
- Termómetro/higrómetro
- Reloj de arena
- Cubo y cazo de madera
- Rejilla de ventilación
- Garantía electrónica 2 años, madera 4 años

Certificaciones



Conformidad con la normativa europea vigente.



La madera proviene de bosques de desarrollo sostenible.



No se utilizan metales pesados en el proceso de fabricación.

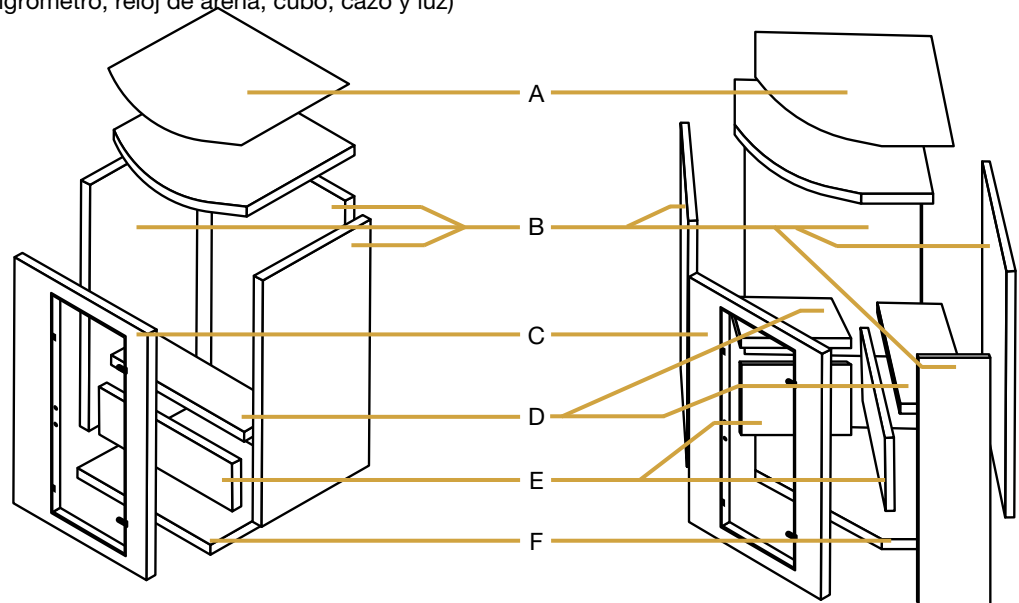
Contenido del embalaje

Elementos comunes :

- 1x manual de instalación
- 1x asa de la puerta (extremo interior y exterior)
- 1x cubierta de protección para el calentador eléctrico
- 1x pack de accesorios para la sauna de vapor (incluye un termómetro, higrómetro, reloj de arena, cubo, cazo y luz)

Elementos específicos :

- A. Techo
- B. Panel
- C. Fachada + puerta
- D. Asiento
- E. Soporte del asiento
- F. Suelo



*Para más información, consulte la guía técnica del calentador.

Instalación

Antes de proceder al ensamblaje, lea detenidamente las instrucciones de montaje.

Elección de una ubicación

Las saunas Holl's se han diseñado para instalarse en interiores.

Elija un lugar:

- De interior, seco, en una superficie plana y estable, y capaz de soportar el peso de la sauna.
- La altura debe ser tal que le permita acceder al techo y realizar la instalación eléctrica, así como tareas de mantenimiento.
- Coloque la sauna alejada de cualquier fuente de humedad, llama o sustancia inflamable.

Consejos prácticos

- Tenga en cuenta que para montar la sauna se requieren 2 o 3 adultos.
- Identifique claramente cada panel antes de comenzar.
- Durante el montaje, coloque el cable de alimentación de la sauna de manera que pueda acceder a él fácilmente.
- Tenga en cuenta que las características de los distintos modelos varían.

ATTENTION:

Vérifier les trous et leurs diamètres pour éviter d'endommager le bois.

La hauteur minimale requise pour l'installation est de 2020 mm.

Ensamblaje

Etapas del montaje del modelo rectangular

Paso 1:



Comience por colocar el suelo sobre la superficie del lugar donde quiera instalar la sauna.

Paso 2:



Coloque el panel de fondo en la ranura del suelo.

Paso 3:



Coloque el panel lateral izquierdo en la ranura del suelo, asegurándose de que encaja adecuadamente con el panel de fondo.

Complete el ensamblaje de los 2 paneles con ayuda del gancho de metal.

● Bucle abierto / Bucle bloqueado



Ensamblaje

Paso 4:



Coloque el panel delantero en la ranura del suelo, asegurándose de que encaja adecuadamente con el panel lateral izquierdo. Mientras manipula el equipo, mantenga siempre la puerta cerrada.

Complete el ensamblaje de los 2 paneles con ayuda del gancho de metal.

● Bucle abierto / Bucle bloqueado



Paso 5:



A continuación, coloque el panel lateral derecho en la ranura del suelo, asegurándose de que encaja adecuadamente con los paneles delantero y de fondo.

Fije el panel con ayuda de los dos ganchos metálicos restantes

● Bucle abierto / Bucle bloqueado



Paso 6:

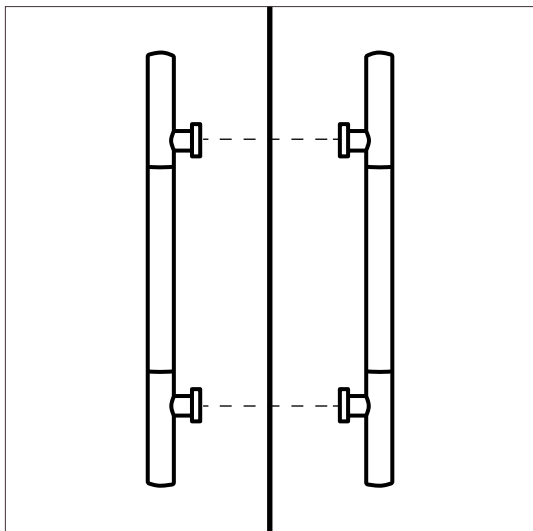


Coloque el techo con cuidado.

Conéctar la chromoterapia a la alimentación del calentador eléctrico.

Ensamblaje

Paso 7:



En el exterior de la puerta, coloque el asa dejándose guiar por los orificios provistos.

Coloque los tornillos desde el interior de la puerta y fije el asa. La parte metálica debe situarse en el exterior de la cabina.

Paso 8:



Monte el banco y el soporte del banco. A continuación, fije el banco al panel de fondo.

Paso 9:



Fije las luces en los rincones de la cabina y conéctelas a la alimentación del calentador eléctrico.

Ensamblaje

Paso 10:




Debe colocar la cubierta de protección del calentador antes de instalarlo en el interior de la cabina.

Paso 11:



Coloque el calentador en su sitio. Todas las instrucciones de montaje e instalación eléctrica del calentador se encuentran en el cartón de embalaje.

Observaciones:
Para la instalación de la estufa deberá consultar su ficha correspondiente.



Ensamblaje

Etapas del montaje del modelo angular

Paso 1:



Comience por colocar el suelo sobre la superficie del lugar donde quiera instalar la sauna.

Paso 2:



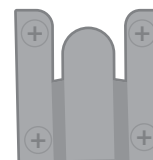
Coloque el panel delantero con cuidado, asegurándose de que encaja adecuadamente con el suelo. Mientras manipula el equipo, mantenga siempre la puerta cerrada.

Paso 3:



Coloque el panel lateral izquierdo en la ranura del suelo, asegurándose de que encaja adecuadamente con el panel del frente.

Complete el ensamblaje de los 2 paneles con ayuda del gancho de metal.



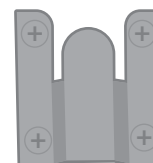
Ensamblaje

Paso 4:



Coloque con cuidado el panel lateral derecho, asegurándose de que encaja adecuadamente con el panel del frente.

Complete el ensamblaje de los 2 paneles con ayuda del gancho de metal.



Paso 5:



Instale el panel de fondo izquierdo sobre la ranura del suelo, asegurándose de que encaja adecuadamente con el lateral de izquierda.

Complete el ensamblaje de los 2 paneles con ayuda del gancho de metal.

● Bucle abierto / Bucle bloqueado



Paso 6:



Instale el panel de fondo izquierdo sobre la ranura del suelo, asegurándose de que encaja adecuadamente con el lateral de izquierda y del fondo derecho.

Fije el panel con ayuda de los dos ganchos metálicos restantes

● Bucle abierto / Bucle bloqueado



Ensamblaje

Paso 7:



Coloque el panel delantero con cuidado.
Conéctar la chromoterapia a la alimentación del calentador eléctrico.

Paso 8:



Coloque el apoyo del banco superior, asegurándose de que encaja adecuadamente con los paneles laterales.

Coloque el asiento del banco superior, asegurándose de que encaja adecuadamente con los paneles laterales.



Paso 9:



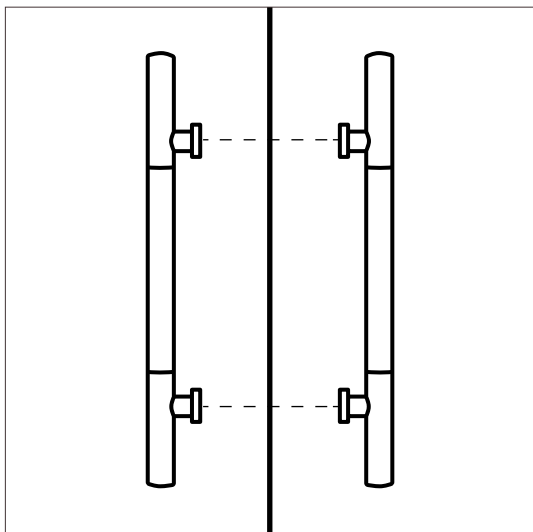
Coloque el apoyo del banco inferior, asegurándose de que encaja adecuadamente con los paneles laterales.

Coloque el asiento del banco inferior, asegurándose de que encaja adecuadamente con los paneles laterales.



Ensamblaje

Paso 10:



En el exterior de la puerta, coloque el asa dejándose guiar por los orificios provistos. Coloque los tornillos desde el interior de la puerta y fije el asa. La parte metálica debe situarse en el exterior de la cabina.

Paso 11:



Fije las luces en los rincones de la cabina y conéctelas a la alimentación del calentador eléctrico.

ES


Paso 12:



Debe colocar la cubierta de protección del calentador antes de instalarlo en el interior de la cabina.

Coloque el calentador en su sitio. Todas las instrucciones de montaje e instalación eléctrica del calentador se encuentran en el cartón de embalaje.

Observaciones :
Para la instalación de la estufa deberá consultar su ficha correspondiente.



Cromoterapia

Especificaciones

Temperatura de funcionamiento: -20 à 60 °C

Tamaño del producto: X 62 x Y 35 x Z 23 mm

Peso neto: 50g

Salida : Salida de colector abierto de 3 CMOS

Corriente máxima : 2A para cada color

Alimentation : DC12V

Tamaño del embalaje: X 105 x Y 65 x Z 55 mm

Peso: 70g

Modo de conexión: Ánodo común

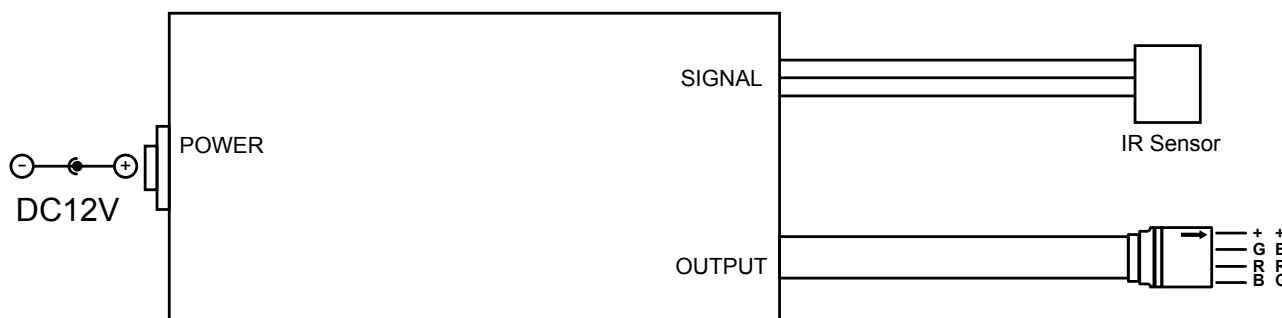
Mando a distancia

Use el control remoto IR para controlar la cromoterapia. El control remoto tiene 24 botones cuya función se explica en la tabla siguiente :



Brillo + (Aumentar)	Brillo - (Reducir)	Apagado	Encendido
Rojo estático	Verde estático	Azul estático	Blanco estático
Naranja estática	Guisante verde estático	Azul oscuro estático	7 cambio de color
Amarillo oscuro estático	Cían estático	Marrón estático	Todos los colores con transición fundida
Amarillo estático	Azul claro estático	Rosa estática	7 colores con transición fundida
Amarillo claro estático	Azul cielo estático	Púrpura estática	3 cambio con colores básicos

Especificación de la caja de control y el diseño de la conexión



Atención

1. La tensión de alimentación de este producto es DC12V. Nunca conecte a DC24V o AC220V.
2. Nunca conecte dos cables directamente entre sí en caso de cortocircuito.
3. El cable debe estar conectado correctamente de acuerdo con los colores descritos en el diagrama de conexión.

Mantenimiento y cuidados

Mantenimiento

ATENCIÓN:

Antes de realizar cualquier operación, desenchufe el cable de alimentación de la cabina.

Problemas identificados	Posibles motivos	Soluciones
El calentador eléctrico no emite calor.	El cable de alimentación está desconectado.	Compruebe que el cable de alimentación está conectado.
	Se ha cortado el suministro eléctrico general.	Compruebe el funcionamiento adecuado del cuadro eléctrico y de la toma de pared.
	El calentador está en modo de seguridad por recalentamiento.	Consulte el manual del calentador eléctrico.
La luminaria de la sauna no funciona.	El cable de alimentación de la cinta LED no está bien conectado.	Conecte el cable alimentación.
	La cinta LED es defectuosa.	Contacte con su distribuidor.
	Las LED no está conectada al calentador.	Cambiar las pilas en el mando a distancia.

Cuidados

1. Desconecte la sauna.
2. Utilice un aspirador para eliminar todo el polvo de las hendiduras de la madera.
3. Limpie la cabina con un trapo de algodón húmedo. En caso necesario, utilice una pizca de jabón. Aclárela con un trapo húmedo.
4. Limpiar el cristal con un limpiacristales y un paño suave.

ATENCIÓN:

No utilice benceno, alcohol, productos químicos ni productos de limpieza agresivos en la sauna, ya que estos pueden dañar la madera y la capa de protección que la recubre. No pulverice agua sobre la sauna.

Garantía

El conjunto de los elementos que componen el sauna dispone de una garantía de 2 años.

La fecha de entrada en vigor de la garantía se corresponde con la fecha de envío (es decir, la fecha de emisión de la factura).

La garantía no cubre los siguientes casos:

- Fallos en el funcionamiento o daños provocados por la instalación, el uso o la reparación no conforme con las instrucciones de seguridad.
- Fallos en el funcionamiento o daños provocados por un uso indebido del aparato.
- Daños provocados por negligencia, por un accidente o por un caso de fuerza mayor (una tormenta o la intemperie).
- Fallos en el funcionamiento o daños provocados por el uso de accesorios no autorizados.

La garantía no cubre los gastos de envío incurridos por el transporte de la cabina o uno de sus componentes a nuestro taller de reparación. De acuerdo con la garantía, en caso de avería, se cambiarán las piezas que nuestros técnicos hayan considerado defectuosas. Uno de nuestros técnicos proporcionará la información y las instrucciones necesarias para su instalación. Holl's no se hace responsable de los gastos incurridos por la contratación de mano de obra externa.



PRECAUCIÓN

No le devuelva el producto a la tienda

Póngase en contacto con su centro de servicio posventa local sobre www.holls.fr o **POOLSTAR FRANCE**
ZA les pielettes - 13740 LE ROVE - FRANCE

Avvertenze

Leggere attentamente questo manuale prima di utilizzare la sauna per la prima volta.

Si raccomanda di conservare con cura il presente manuale per eventuali consultazioni future.

- Installare la sauna su un pavimento perfettamente piatto.
- La sauna deve essere posizionata in una zona asciutta. Non utilizzarla in prossimità di una zona umida (vasca da bagno, pavimento umido, piscina).
- Non utilizzare prodotti detergenti liquidi. Scollegare la sauna prima di procedere alla pulizia e utilizzare un panno umido (vedere capitolo manutenzione).
- Proteggere il cavo elettrico della sauna per evitare che venga calpestato o schiacciato.
- Prima di procedere alla sostituzione di alcuni pezzi, assicurarsi che siano quelli indicati dal fabbricante o che abbiano caratteristiche simili ai pezzi di ricambio originali. Una sostituzione non corretta può generare un incendio, un corto circuito o danneggiare la sauna. Si raccomanda vivamente di rivolgersi a un tecnico qualificato.
- Per evitare rischi di scottature o di scariche elettriche, non utilizzare alcuno strumento metallico.
- Non fare entrare animali all'interno della sauna.
- Non lasciare la sauna accesa priva di sorveglianza.
- Non lasciare la sauna accesa per più di 3 consecutive per evitare di deteriorare prematuramente i circuiti e gli impianti. Dopo 3 ore di utilizzo continuativo, si raccomanda di spegnere la sauna per almeno un'ora.
- Si raccomanda di non installare alcun sistema di chiusura sulla porta della sauna.
- Verificare la conformità del vostro impianto elettrico prima di procedere al collegamento elettrico della vostra sauna.

Sicurezza

ATTENZIONE:

Si prega di leggere attentamente le istruzioni di sicurezza prima di installare ed utilizzare la vostra cabina sauna. Tali istruzioni sono fondamentali per la vostra sicurezza, si prega di rispettarle in maniera scrupolosa.

Si prega di fare attenzione ad ipertermia, insolazioni e colpi di calore che possono essere provocati o aggravati dal mancato rispetto delle istruzioni di sicurezza. I sintomi sono febbre, accelerazione del battito cardiaco, vertigini, svenimento, letargia, intorpidimento del corpo o di una parte del corpo.

Gli effetti: Mancata percezione del calore, mancata considerazione del rischio imminente, perdita di conoscenza.

La sauna non deve essere utilizzata da:

- Bambini inferiori ai 6 anni.
- Persone soggette a gravi reazioni quando esposte ai raggi del sole.
- Persone anziane o invalide.
- Persone con patologie come malattie cardiache, ipertensione / ipotensione, problema di circolazione sanguigna o diabete senza un preventivo controllo medico.
- Donne incinte. Una temperatura eccessiva può essere pericolosa per il feto.
- Persone che soffrono di disidratazione, ferite aperte, patologie oculari, scottature, colpi di sole.

I bambini tra 6 e 16 anni possono utilizzare la sauna a condizione che siano sotto il costante controllo di un adulto responsabile e che la temperatura non superi i 60°C (140°F).

In caso di problema di salute, di assunzione di farmaci, di ferite muscolari o ai legamenti, non utilizzare la sauna senza aver consultato ed aver ricevuto il consenso preventivo di un medico.

In caso di utilizzo di impianti chirurgici, non utilizzare la sauna senza aver consultato ed aver ricevuto il consenso preventivo di un medico.

Non utilizzare la sauna dopo uno sforzo intenso. Attendere 30 minuti affinché l'organismo possa raffreddarsi.

Non fare una seduta di sauna di oltre 40 minuti.

Non consumare alcol o droga prima o durante la seduta.

Non addormentarsi nella sauna quando questa è in funzione.

Per evitare rischi di surriscaldamento, collegare la vostra sauna ad una presa di corrente sufficientemente potente e non collegare altri apparecchi elettrici alla stessa presa a muro.

Per evitare ogni rischio di elettrocuzione o di deterioramento della sauna, non utilizzare la sauna:

- In caso di temporale.
- Se il cavo elettrico è danneggiato, dovrà essere sostituito da personale tecnico qualificato.
- Se il cavo elettrico è in surriscaldamento, dovrà essere controllato da personale tecnico qualificato.
- Nel caso in cui sia necessario sostituire una lampadina, attendere che la sauna sia spenta e che si sia raffreddata.

Si raccomanda di asciugarsi le mani prima di collegare o scollegare la corrente. Si raccomanda di non compiere alcuna operazione con le mani o i piedi bagnati.

Si raccomanda di non accendere e spegnere freneticamente la corrente o il sistema di riscaldamento, in quanto questo potrebbe causare danni al sistema elettrico.

Ogni eventuale tentativo di riparazione non autorizzato annullerà la garanzia del fabbricante.

Si raccomanda di non accatastare o stoccare oggetti all'interno o sulla sauna.

Non depositare materiale infiammabile o agenti chimici vicino alla sauna.

Descrizione della sauna

Caratteristiche generali

- Cabina in legno di picea del Canada
- Illuminazione interna
- Termometro / Igrometro
- Clessidra
- Secchio e mestolo in legno
- Griglia di aerazione
- Garanzia elettronica 2 anni, legno 10 anni

Certificazioni



Conformità con le norme europee in vigore.



Il legno proviene da foreste nel rispetto delle norme di sviluppo sostenibile.



Il processo di fabbricazione fa uso di metalli pesanti.

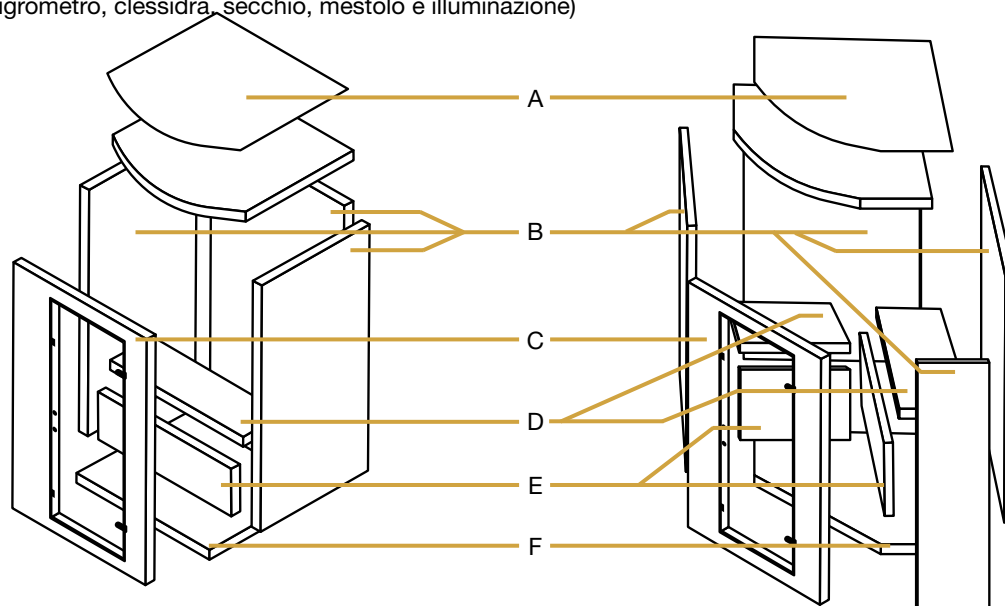
Contenuto dei colli

Generale :

- 1x manuale di installazione
- 1x maniglia di porta (parte interna ed esterna)
- 1x quadro di protezione per stufetta elettrica
- 1x kit di accessori per sauna a vapore (comprende termometro, igrometro, clessidra, secchio, mestolo e illuminazione)

Dettaglio :

- A. Tetto
- B. Pannelli
- C. Facciata + Porta
- D. Seduta
- E. Supporto della seduta
- F. Pavimento



*Per maggiori informazioni, consultare la guida tecnica della stufa

Installazione

Si raccomanda di leggere attentamente le istruzioni di montaggio prima di iniziare l'assemblaggio.

Scelta dell'ubicazione

Le saune Holl's sono progettate per essere installate unicamente in spazi interni.

Scegliere uno spazio:

- All'interno, in luogo asciutto, su un pavimento piatto e stabile, in grado di sostenere il peso della sauna.
- L'altezza deve essere sufficiente per consentire di accedere al tetto e di realizzare i collegamenti elettrici ed eventuali interventi di manutenzione.
- Al riparo da ogni fonte d'acqua, di fiamma o di sostanze infiammabili.

Consigli pratici

- Si prega di notare che il montaggio della sauna richiede da 2 a 3 persone adulte.
- Prima di procedere al montaggio, identificare chiaramente ogni pannello.
- Durante il montaggio, posizionare il cavo di alimentazione della vostra sauna in modo che sia facilmente accessibile.
- Si prega di notare che vi sono delle differenze tra i vari modelli.

ATTENZIONE:

Verificare i fori e il loro diametro per evitare di danneggiare il legno.

L'altezza minima richiesta per l'installazione è di 2020 mm.

Assemblaggio

Fasi di assemblaggio del modello rettangolare

Fase 1:



Iniziare appoggiando a terra il pavimento della sauna, nel luogo in cui volete installare la sauna stessa.

Fase 2:



Installare il pannello posteriore nella scanalatura del pavimento della sauna.

Fase 3:



Posizionare il pannello laterale sinistro nella scanalatura del pavimento, assicurandosi che si incastrino perfettamente con il pannello posteriore.

Completare l'assemblaggio dei 2 pannelli con l'aiuto dei riccioli metallico.

● Riccioli aperto / Riccioli bloccato



Assemblaggio

Fase 4:



Posizionare il pannello anteriore nella scanalatura del pavimento, assicurandosi che si incastri perfettamente con il pannello laterale sinistro. Attenzione, si prega di tenere la porta chiusa durante ogni fase delle operazioni.

Completare l'assemblaggio dei 2 pannelli con l'aiuto del riccioli metallico.

● Riccioli aperto / Riccioli bloccato



Fase 5:



Infine, posizionare il pannello laterale destro nella scanalatura del pavimento, assicurandosi che si incastri perfettamente con i pannelli anteriore e posteriore.

Fissare il pannello con i ganci riccioli rimanenti.

● Riccioli aperto / Riccioli bloccato



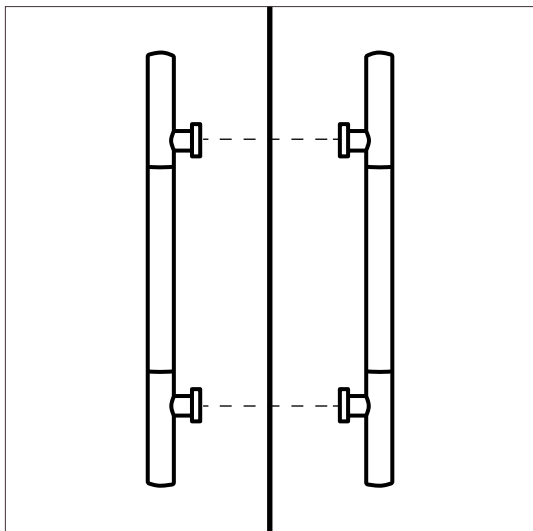
Fase 6:



Posizionare il tetto con cautela.
Collegare la cromoterapia all'alimentazione della stufa elettrica.

Assemblaggio

Fase 7:



Sulla parte esterna della porta, posizionare la maniglia in corrispondenza con i fori previsti.

Posizionare le viti dall'interno della porta e fissare la maniglia. La parte metallica deve trovarsi all'esterno della cabina.

Fase 8:



Assemblare il supporto della panca e la panca. Quindi, fissare la panca al pannello posteriore.

Fase 9:



Fissare i punti di illuminazione agli angoli della cabina e poi collegarli all'alimentazione della stufa elettrica.

Assemblaggio

Fase 10:




Il quadro di protezione della stufa deve essere assemblato e poi installato all'interno della cabina.

Fase 11:



Installare la stufa all'interno del quadro di protezione.
Tutte le istruzioni riguardanti l'installazione e il collegamento elettrico della stufa si trovano nel cartone di imballaggio.

Nota:
Per l'installazione della stufa,
consultare le istruzioni della
stufa



Assemblaggio

Fasi di assemblaggio del modello angolare

Fase 1:



Iniziare appoggiando a terra il pavimento della sauna.

Fase 2:



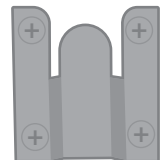
Posizionare con cautela il pavimento, assicurandovi che si incastrì perfettamente con i pannelli laterali. Attenzione, si prega di tenere la porta chiusa durante ogni fase delle operazioni.

Fase 3:



Posizionare il pannello laterale sinistro nella scanalatura del pavimento assicurandosi che si incastrì perfettamente con il pannello frontale.

Completare l'assemblaggio dei 2 pannelli con l'aiuto del riccioli metallico.



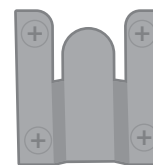
Assemblaggio

Fase 4:



Posizionare con cautela il pannello laterale destro, assicurandosi che si incastri perfettamente con il pannello frontale.

Completare l'assemblaggio dei 2 pannelli con l'aiuto del riccioli metallico.



Fase 5:



Posizionare il pannello laterale sinistro nella scanalatura del pavimento assicurandosi che si incastri perfettamente con il pannello posteriore sinistro.

Completare l'assemblaggio dei 2 pannelli con l'aiuto del riccioli metallico.

● Boucle ouverte / Boucle verrouillé



Fase 6:



Posizionare il pannello posteriore destro nella scanalatura del pavimento, assicurandosi che si incastri perfettamente con il pannello posteriore sinistro.

Completare l'assemblaggio dei 3 pannelli con l'aiuto del riccioli metallico.

● Boucle ouverte / Boucle verrouillé



Assemblaggio

Fase 7:



Posizionare con cautela il tetto al di sopra della cabina.
Collegare la cromoterapia all'alimentazione della stufa elettrica.

Fase 8:



Posizionare il supporto della panca superiore, assicurandosi che si incastrino perfettamente con i pannelli laterali.

Posizionare la seduta della panca superiore, assicurandosi che si incastrino perfettamente con i pannelli laterali.



Fase 9:



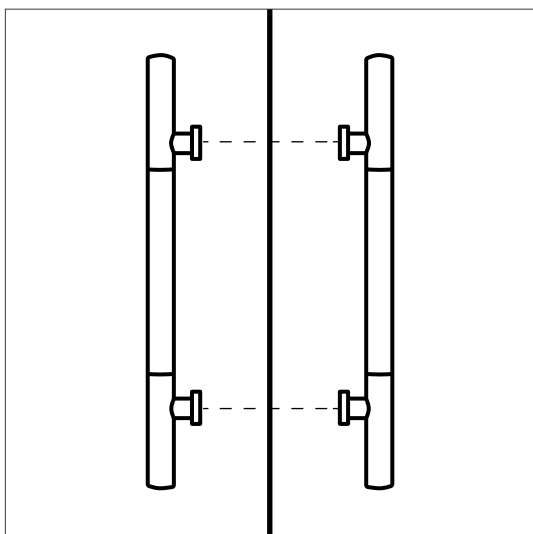
Posizionare il supporto della panca inferiore, assicurandosi che si incastrino perfettamente con i pannelli laterali.

Posizionare la seduta della panca inferiore, assicurandosi che si incastrino perfettamente con i pannelli laterali.



Assemblaggio

Fase 10:



Sulla parte esterna della porta, posizionare la maniglia in corrispondenza con i fori previsti.

Posizionare le viti dall'interno della porta e fissare la maniglia. La parte metallica deve trovarsi all'esterno della cabina.

Fase 11:



Fissare i punti di illuminazione agli angoli della cabina e poi collegarli all'alimentazione della stufa elettrica.

Fase 12:



Il quadro di protezione della stufa deve essere assemblato e poi installato all'interno della cabina.

Installare la stufa all'interno del quadro di protezione. Tutte le istruzioni riguardanti l'installazione e il collegamento elettrico della stufa si trovano nel cartone di imballaggio.



Nota:

Per l'installazione della stufa, consultare le istruzioni della stufa



Cromoterapia

Specificazioni

Temperatura di esercizio: -20 a 60 °C

Dimensione del prodotto: L 62 x I 35 x A 23 mm

Peso netto: 50g

Uscita: 3 open collector CMOS aperto

Corrente max. : 2A per ogni colore

Alimentazione : DC12V

Taille du packaging : L 105 x I 65 X A 55 mm

Peso: 70g

Modalità di connessione: anodo comune

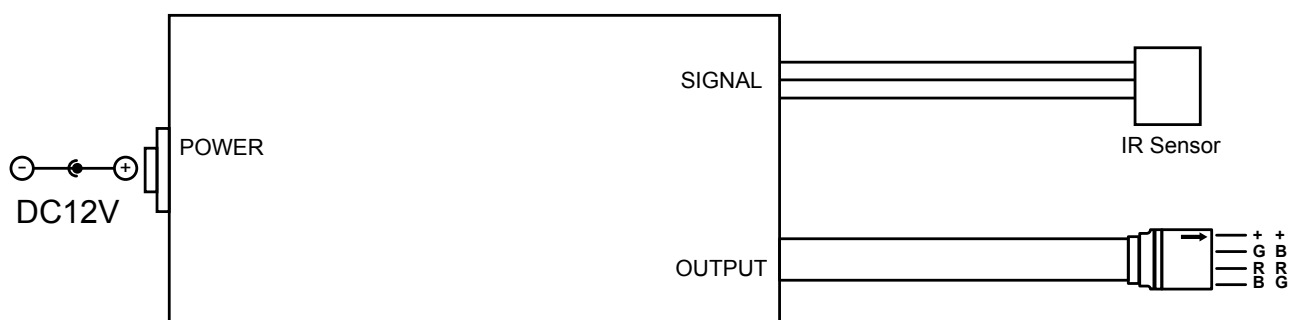
Telecomando

Usa il telecomando IR per controllare la cromoterapia. Il telecomando ha 24 pulsanti la cui funzione è spiegata nella tabella seguente:



Luminosità + (Aumentare)	Luminosità - (Ridurre)	OFF	ON
Rosso statico	Verde statico	Blu statico	Bianco statico
Arancione statico	Pisello verde statico	Blu scuro statico	7 cambi di colore
Giallo scuro statica	Ciano statico	Marrone statico	Tutti i colori con transizione sciolta
Giallo statico	Statico blu chiaro	Rose statiche	7 colori con transizione sciolta
Giallo chiaro statica	Cielo blu statico	Viola statico	3 cambia con i colori base

Specifica della scatola di controllo e del progetto di connessione



Attenzione

1. La tensione di alimentazione di questo prodotto è DC12V non collegare mai a DC24V o AC220V.
2. Non collegare mai due cavi direttamente tra loro in caso di cortocircuito.
3. Il cavo deve essere collegato correttamente in base ai colori descritti dallo schema di collegamento.

Manutenzione

Manutenzione

ATTENZIONE:

Prima di ogni intervento, scollegare il cavo d'alimentazione della cabina.

Problemi riscontrati	Possibili motivi	Soluzioni
La stufa elettrica non scalda.	Il cavo dell'alimentazione è scollegato.	Verificare il collegamento del cavo dell'alimentazione.
	L'alimentazione generale è staccata.	Verificare il corretto funzionamento del quadro elettrico e della presa a muro.
	La stufa è in sicurezza-surriscaldamento.	Consultare il manuale della stufa elettrica.
L'illuminazione della sauna non funziona più.	Il cavo di alimentazione del nastro LED non è collegato correttamente.	Collegare il cavo di alimentazione.
	Il nastro LED è difettoso.	Contattare il rivenditore.
	I LED non rispondono.	La sostituzione delle batterie nel telecomando.

Manutenzione

1. Scollegare la sauna.
2. Utilizzare un aspiratore per rimuovere tutti i residui di polvere rimasti negli interstizi del legno.
3. Pulire la cabina con una salvietta umida di cotone, se necessario utilizzare una piccola quantità di sapone. Risciacquare utilizzando una salvietta umida.
4. Pulire il vetro con un detergente per vetri e un panno morbido.

ATTENZIONE:

Non utilizzare benzene, alcool, prodotti chimici o detersivi aggressivi sulla sauna, in quanto i prodotti chimici possono danneggiare il legno e lo strato di protezione che si trova sul legno. Non vaporizzare acqua sulla sauna.

Garanzia

Tutti gli elementi che compongono le saune sono garantiti 2 anni.

La data di entrata in vigore della garanzia è la data di spedizione (corrispondente alla data di emissione della fattura).

La garanzia non si applica nei casi seguenti:

- Malfunzionamento o danno derivante da un'installazione, da un utilizzo o da una riparazione non conforme alle istruzioni di sicurezza.
- Malfunzionamento o danno derivante da condizioni non adatte all'uso inizialmente previsto dell'apparecchio.
- Danno derivante da una negligenza o da un caso di forza maggiore (temporale e intemperie).
- Malfunzionamento o danno derivante dall'uso di accessori non autorizzati.

La garanzia non si fa carico delle spese connesse ad un trasporto della cabina o di una parte dei suoi componenti presso i nostri stabilimenti in Francia. Nell'ambito della garanzia, in caso di guasto, i pezzi ritenuti difettosi dai nostri tecnici saranno sostituiti. Le informazioni e le spiegazioni necessarie alla loro installazione saranno fornite da uno dei nostri tecnici. Le spese legate all'uso di una manodopera di parti terze non saranno prese in carico da Holl's.



IMPORTANTE

Non restituire il prodotto al negozio

Rivolgersi al centro di assistenza post-vendita su
www.holls.fr o **POOLSTAR FRANCE**
ZA les pielettes - 13740 LE ROVE - FRANCE

HOLL'S

COMFORT DESIGN SAUNAS

www.holls.fr

Technical assistance - Assistance technique
Asistencia técnica - Assistenza tecnica

+33 (0)4 91 51 01 99

Poolstar*

Votre Partenaire Piscine & Bien-être

Distribution POOLSTAR FRANCE | www.poolstar.fr | ZA les Pielettes - 13740 LE ROVE - FRANCE